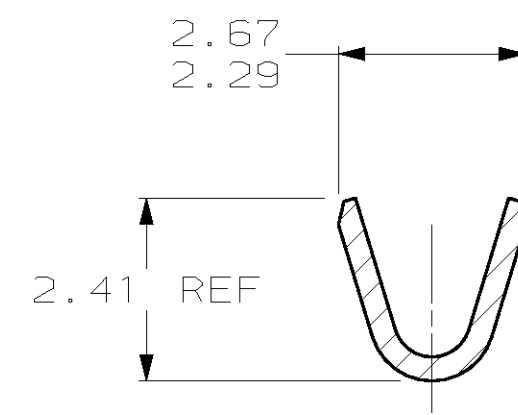
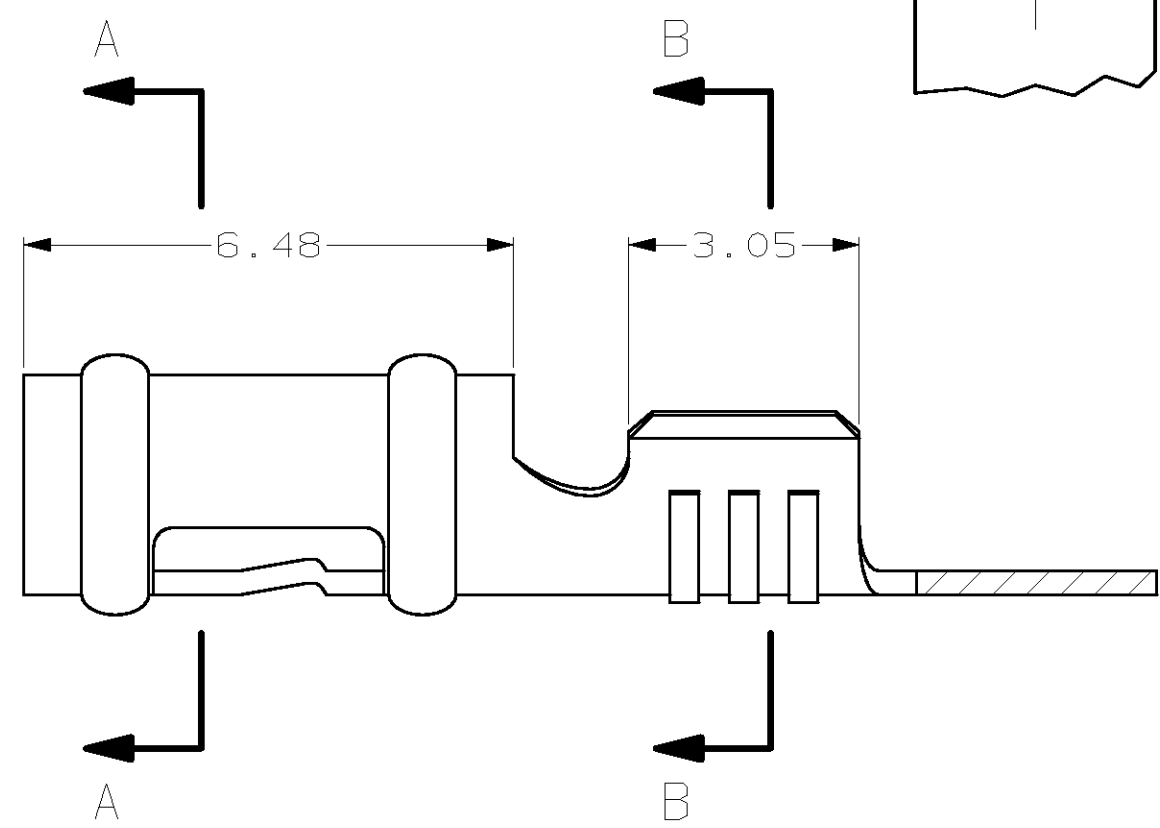
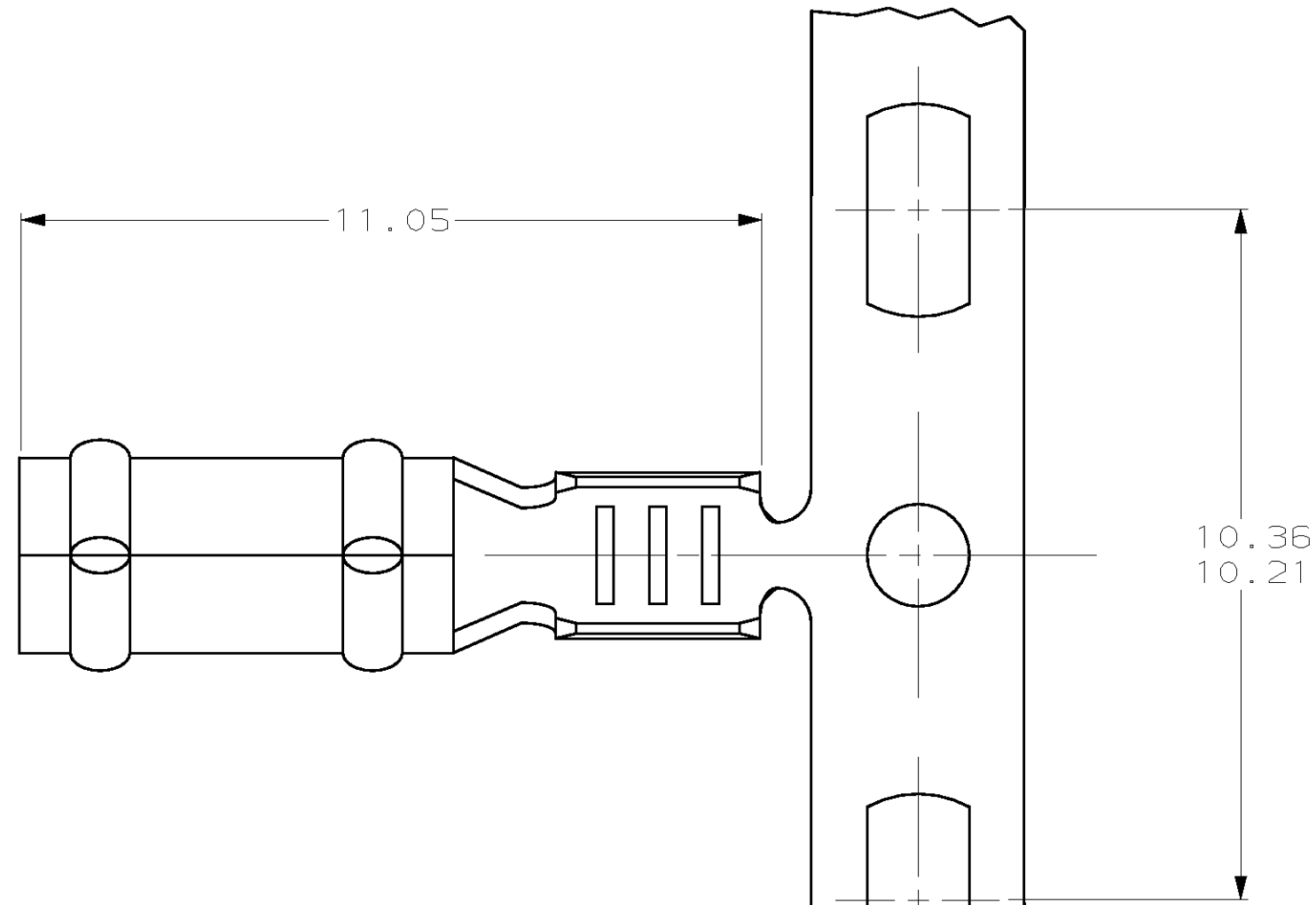


THIS DRAWING IS UNPUBLISHED. RELEASED FOR PUBLICATION .19  
 (C) COPYRIGHT 19 BY AMP INCORPORATED. ALL RIGHTS RESERVED.

LOC		DIST		REVISIONS			
P	LTR	DESCRIPTION	DATE	DWN	APVD		
CM	52	G	REV PER EC 061B-0242-98	20-JAN-99	JH	RS	

1. WIRE RANGE: 0.3 - 0.9 MM<sup>2</sup> (22 - 18 AWG)



MINI	350015-2
STANDARD	350015-1
APPLICATOR	PART NUMBER

2.29	.090	2.67	.105	10.21	.402	-	-
0.32	.013	2.41	.095	6.48	.255	11.05	.435
0.13	.005	2.36	.093	3.05	.120	10.36	.408
MM	IN	MM	IN	MM	IN	MM	IN

CONVERSION TABLE

**METRIC**

THIS DRAWING IS A CONTROLLED DOCUMENT.		DWN	T. BECK	6-17-97
DIMENSIONS:		CHK	R. SWING	6-17-97
mm		APVD	A. BEDDICK	8-22-97
TOLERANCES UNLESS OTHERWISE SPECIFIED:		NAME		
0 PLC ±-		AMP Incorporated		
1 PLC ±-		Harrisburg, PA 17105-3608		
2 PLC ±0.13		RECEPTACLE, .093 DIAMETER, 22-18 AWG, P.C. CONTACT		
3 PLC ±-		SIZE CAGE CODE DRAWING NO RESTRICTED TO		
4 PLC ±-		A2 00779 C-350015 -		
MATERIAL		WEIGHT		
0.32 PH BRZ		-		
FINISH		CUSTOMER DRAWING		
PRE TIN		SCALE 10:1 SHEET 1 OF 1 REV G		

350015